

DS-2TP21B-6AVF/W

Fever Screening Handheld Camera



The handheld thermal camera, specially designed for body temperature measurement. It's equipped with a 160×120 resolution thermal detector. It is capable to discover and track people with higher body temperature among the crowded public area, it can be widely used in places such as customs, airport, school and hospital for inspection and quarantine.

Key Feature

- 160 × 120 resolution (thermal), and 8 MP resolution (optical)
- Thermographic accuracy up to ± 0.5 °C
- Display fusion of thermal view and optical view.
- 640 × 480 resolution 3.5" LCD touch display
- Support live view on PC, mobile device or external monitor
- Support audio intercom
- Support color highlight alarm and audio alarm



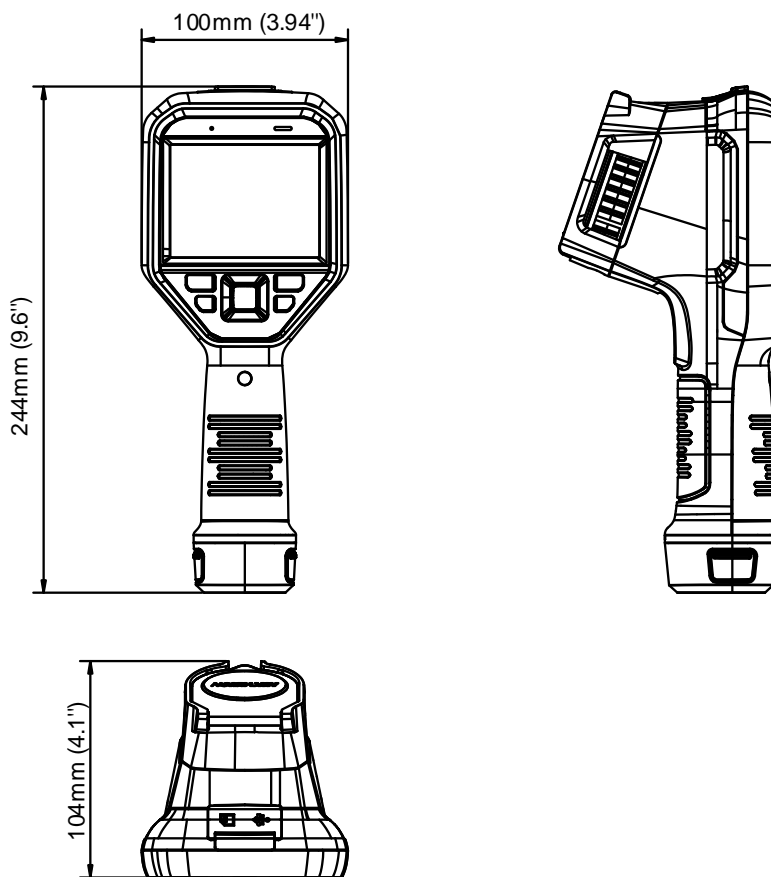
Specification

		Model	DS-2TP21B-6AVF/W
Parameter		Thermographic Handheld Camera	
Thermal Module	Image sensor	Uncooled Focal Plane Arrays	
	Resolution	25Hz: 160 × 120	
	Pixel Pitch	17μm	
	Response waveband	8μm to 14μm	
	NETD	< 40 mk (@ 25 °C,F#=1.0)	
	Field of View	25° × 18.7°	
	Focal length	6.2 mm (Manual focus)	
	IFOV	2.74 mrad	
Optical Module	Aperture	F 1.1	
	Picture Resolution	Configurable: 2 MP, 5 MP, 8 MP	
	Video Resolution	640 × 480	
	Monitor	640 × 480 resolution 3.5'' LCD touch display	
Image Display	Palettes	Black hot, White hot, Red hot, Rainbow, Ironbow, Fusion, Rain	
	Digital Zoom	Thermal: 1×, 2×, 4×	
	Thermal / Optical	Thermal/Optical/Fusion image/Picture in picture	
	Picture in Picture	Support Thermal View in Optical View	
	Fusion	Support (Thermal View and Optical View Combined)	
	Record Video	Support on-board video recording	
Thermography	Rules	Max. Temperature; Min. Temperature; Center Temperature; Custom Point/Line/Area Thermography	
	Range	30°C to 45°C	
	Accuracy	±0.5°C	
Battery	Battery Type	Dismountable and rechargeable Li-ion Battery	
	Battery Operating Time	5 hours in normal temperature, with Wi-Fi, Bluetooth, and supplement light off.	
		4 hours in normal temperature, with Wi-Fi, Bluetooth, and supplement light on.	
	Storage	Built-in memory module (16 G)	
	Photo	Thermal/Optical/Fusion image	
	Video	Thermal/Optical/Fusion image	
	Wi-Fi	Support	
	Text Comment	Support	
Voice Comment	Support		
General	Language	English	
	Power	5 VDC/2 A	
	Power Consumption	Max. 4.5 W	
	Hardware Interface	Type-C Interface	
	Working Temperature	15°C to 35 °C	
	Protection level	IP54	
Drop Test Height	2 m (6.56 feet)		

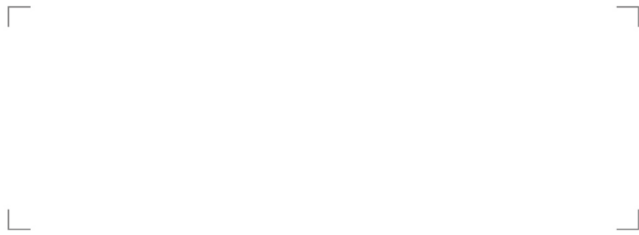
Dimension	244 mm × 100 mm × 104 mm (9.6 " × 3.9 " × 4.1 ")
Weight	With Battery: 653 g (1.44 lb) Without Battery: 511 g (1.13 lb)

Available Model

DS-2TP21B-6AVF/W

Dimension

Distributed by

**HIKVISION®****Headquarters**

No.555 Dianmo Road, Binjiang District,
Hangzhou 310051, China
T +86-571-8807-5998
overseasbusiness@hikvision.com

Hikvision USA
T +1-909-895-0400
sales.usa@hikvision.com

Hikvision Italy
T +39-0438-6902
info.it@hikvision.com

Hikvision Singapore
T +65-6684-4718
sg@hikvision.com

Hikvision Africa
T +27 (10) 0351172
sale.africa@hikvision.com

Hikvision Europe
T +31-23-55-42-770
info.eu@hikvision.com

Hikvision France
T +33(0)1-85-330-450
info.fr@hikvision.com

Hikvision Oceania
T +61-2-8599-4233
salesau@hikvision.com

Hikvision Hong Kong
T +852-2151-1761

Hikvision Middle East
T +971-4-8816086
salesme@hikvision.com

Hikvision Spain
T +34-91-737-16-55
info.es@hikvision.com

Hikvision Canada
T +1-909-895-0400
sales.usa@hikvision.com

Hikvision Russia
T +7-495-669-67-99
saleru@hikvision.com

Hikvision Poland
T +48-22-460-01-50
poland@hikvision.com

Hikvision Korea
T +82-31-731-8841
sales.korea@hikvision.com

Hikvision India
T +91-22-28469900
sales@pramahikvision.com

Hikvision UK
T +01628-902140
support.uk@hikvision.com

Hikvision Brazil
T +55 11 3318-0050
Latam.support@hikvision.com